

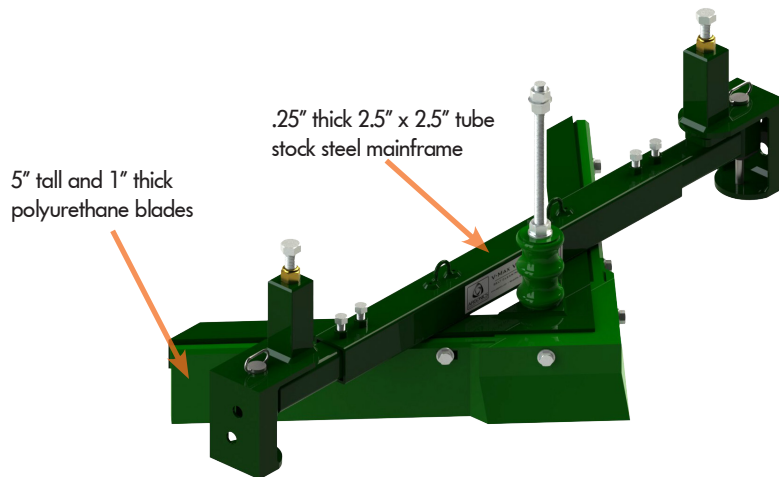
V-PLOWS

TERTIARY CONVEYOR BELT CLEANING SYSTEM

Keep rocks, fines, clumps and other debris off your belt and away from your tail pulley with the Argonics V-Max™ series of V-Plows. These plows are equipped with our best Kryptane® urethane side blades and an angled front nose plow.

The choice is yours: The **V-Max** with its chrome-silicon spring tensioning system for extremely dirty environments with heavy vibration, or the **Aluminum plow** for systems that need protection but at an affordable price. Both clear debris while floating on the belt and will self-adjust as they wear.

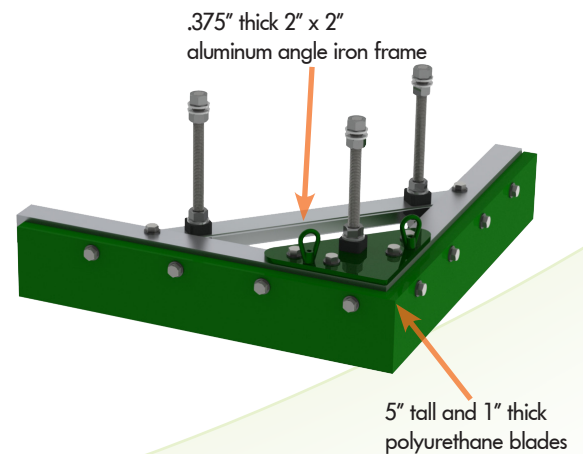
The **V-Max** is designed with a .25" (6 mm) thick, 2.5" x 2.5" (63.5 mm x 63.5 mm) tube stock steel mainframe and stub ends for durability and chatter-free operation. The **Aluminum V-Plow** is designed to be lightweight yet durable, with a .375" (9.5 mm) thick, 2" x 2" (50.8 mm x 50.8 mm) aluminum angle iron frame.



BENEFITS

- Equipped with Kryptane® G83 polyurethane blades that are easily replaceable and provide 3" (76 mm) of wear before needing service
- Rugged mainframe and heavy duty front nose plow blade
- No hoses, cables, shocks or mud-packed components to deal with
- Adjustable chrome-silicon spring tensioners keep the plow on the your belt during heavy vibration (V-Max only)
- V-Max systems 32" and larger come standard with nose tensioner
- All V-Plows come standard with safety chains
- V-Max comes fully assembled, ready to install with easy, step-by-step instructions
- Aluminum V-Plow comes disassembled in a box, allowing for reduced shipping costs
- Wear travel limit mounting brackets
- Weld- or bolt-in installation

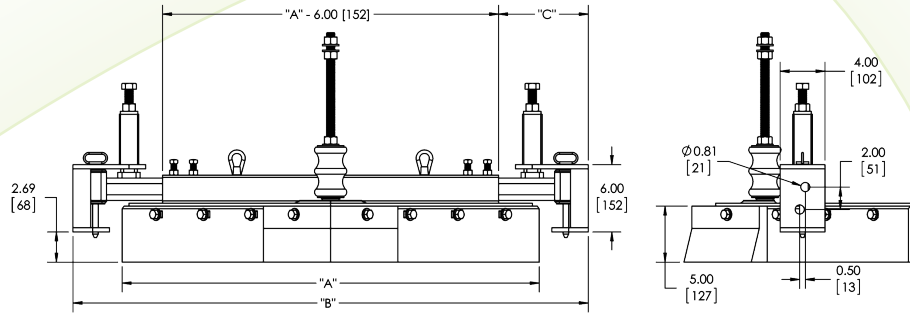
ALUMINUM V-PLOW



ARGONICS
ENGINEERED POLYURETHANE

V-MAX SIZING INFORMATION

Dimensions - in. (mm)

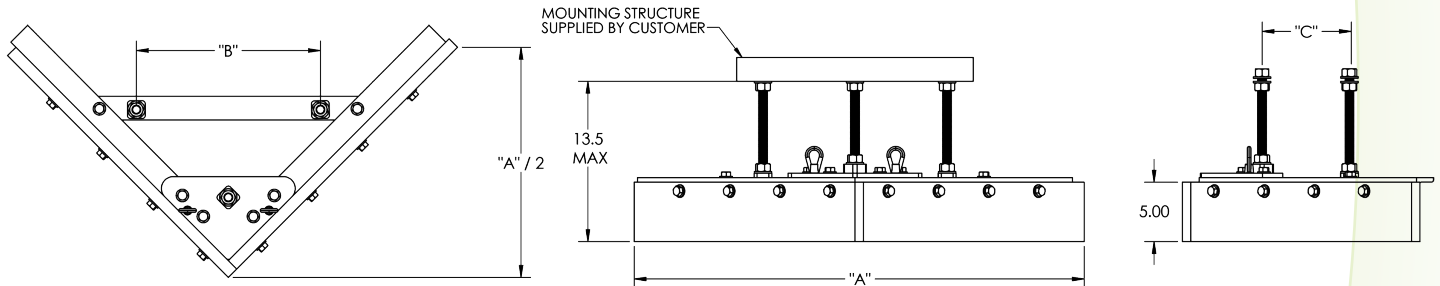


Part Number	A		Min B.		Max B.		Min C.		Max C.		Shipping Weight	
	inches	(mm)	inches	(mm)	inches	(mm)	inches	(mm)	inches	(mm)	lbs	(kg)
CP-VPA24M-G83	24.00	(610)	30.00	(762)	38.00	(965)	6.00	(152)	10.00	(254)	67.00	(30)
CP-VPA30M-G83	30.00	(762)	36.00	(914)	52.00	(1321)	6.00	(152)	14.00	(356)	73.00	(33)
CP-VPA36M-G83	36.00	(914)	42.00	(1067)	58.00	(1473)	6.00	(152)	14.00	(356)	80.00	(36)
CP-VPA42M-G83	42.00	(1067)	48.00	(1219)	64.00	(1626)	6.00	(152)	14.00	(356)	87.00	(39)
CP-VPA48M-G83	48.00	(1219)	54.00	(1372)	70.00	(1778)	6.00	(152)	14.00	(356)	94.00	(43)
CP-VPA60M-G83	60.00	(1524)	66.00	(1676)	82.00	(2083)	6.00	(152)	14.00	(356)	107.00	(49)
CP-VPA72M-G83	72.00	(1829)	78.00	(1981)	94.00	(2388)	6.00	(152)	14.00	(356)	122.00	(55)

NOTES: Standard sizes shown above. Other sizes are available from 16" (406 mm) to 96" (2438 mm).

ALUMINUM V-PLOW SIZING INFORMATION

Dimensions - in. (mm)



	A		B		C		Shipping Weight	
	inches	(mm)	inches	(mm)	inches	(mm)	lbs	(kg)
CP-EAP-A24M-G83	26.00	(660)	7.25	(184)	3.25	(83)	28.00	(13)
CP-EAP-A30M-G83	32.00	(813)	15.56	(395)	7.38	(187)	32.00	(15)
CP-EAP-A36M-G83	38.00	(965)	15.56	(395)	7.38	(187)	35.00	(16)
CP-EAP-A42M-G83	44.00	(1118)	23.88	(607)	11.54	(293)	39.00	(18)
CP-EAP-A48M-G83	50.00	(1270)	23.88	(607)	11.54	(293)	42.50	(19)
CP-EAP-A60M-G83	62.00	(1575)	32.19	(818)	15.69	(399)	49.50	(22)
CP-EAP-A72M-G83	74.00	(1880)	40.50	(1029)	19.84	(504)	57.00	(26)

NOTES: Standard sizes shown above. Other sizes are available from 16" (406 mm) to 72" (1829 mm).

